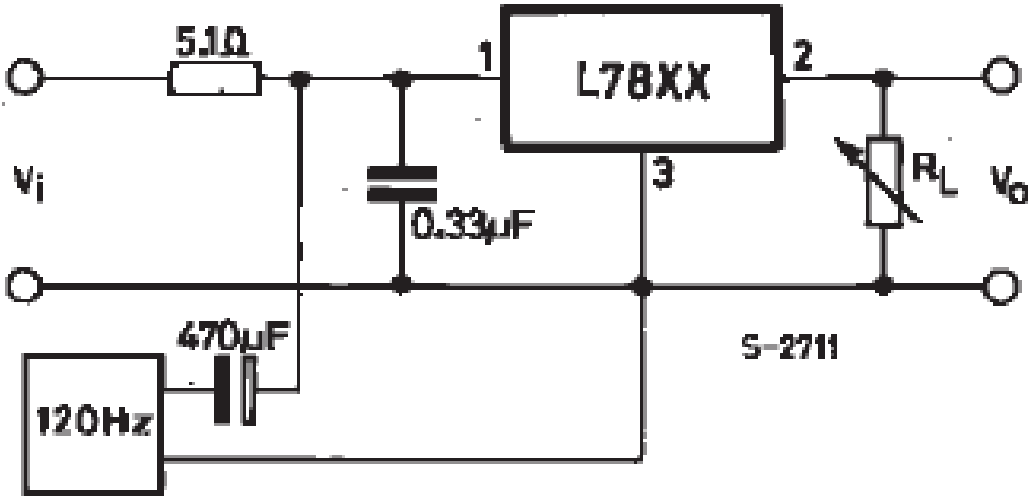
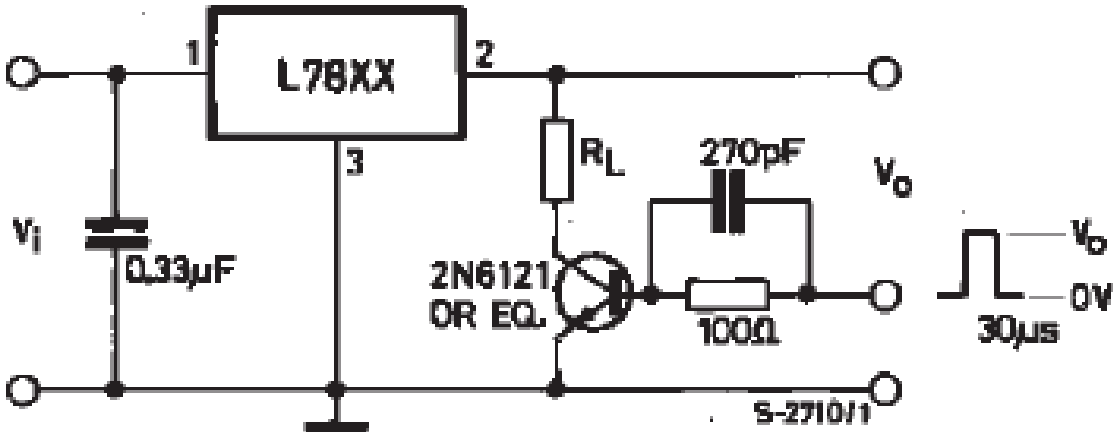
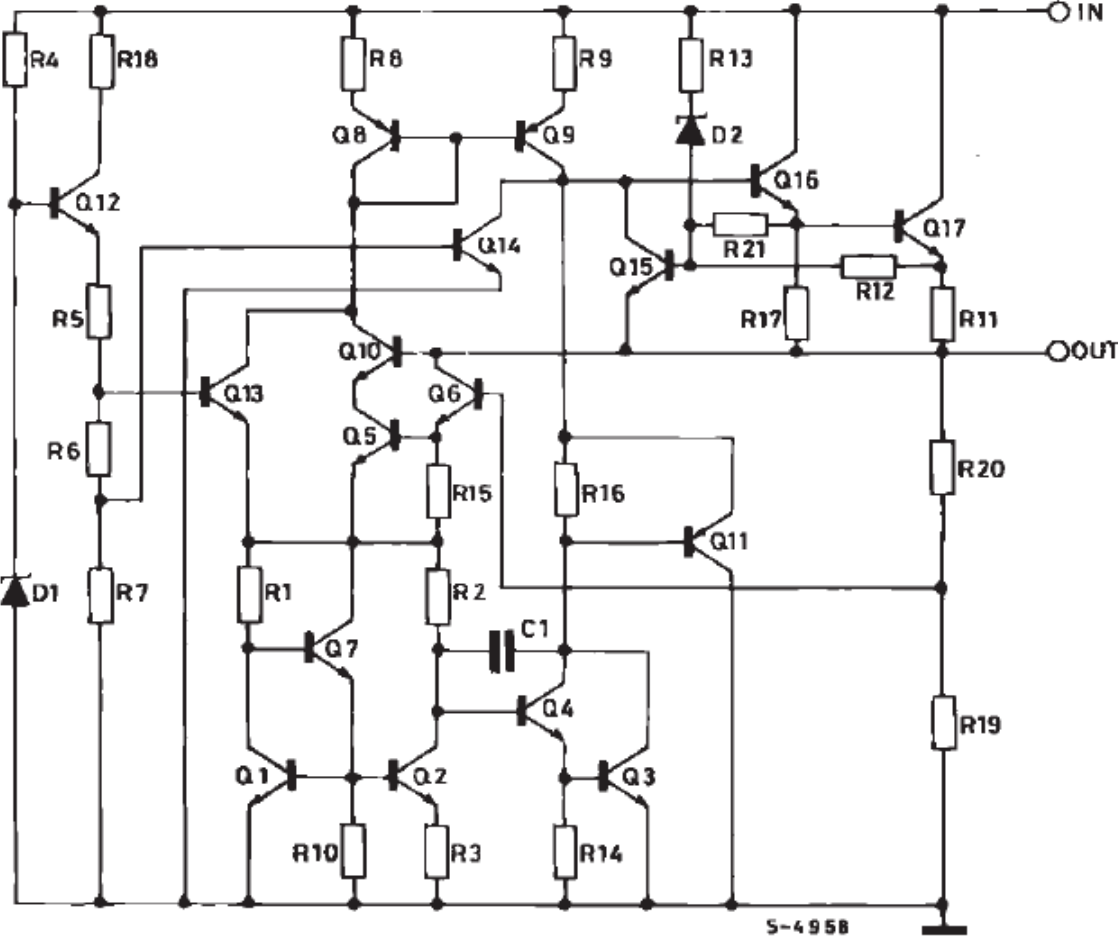


Stabilizator



Stabilizator UL7805



Regulator napięcia 10 V

Figure 17 : 0.5 to 10V Regulator.

